

LED Bulb Lamp Series

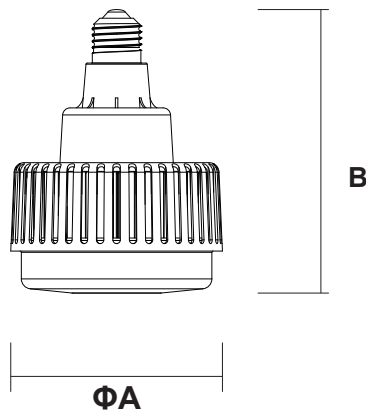
NR-BL101 Series
IP20




Indoor	AC 220-240V	50/60 Hz	PF ≥0.9	CCT 6500K 4000K 3000K	Ra ≥80	IP20	Socket E40	Beam Angle 120°	Chips SMD	
--------	----------------	-------------	------------	--------------------------------	-----------	------	---------------	-----------------------	--------------	--

Item Code	P(W)	CCT(K)	Total Lumen	LM/W	Beam Angle	Dimensions in mm		kg
						ΦA	B	
NR-BL101-50	50	6500/4000/3000	5050	101	120°	170	228	0.62
NR-BL101-100	100	6500/4000/3000	10100	101	120°	238	260	0.99
NR-BL101-140	140	6500/4000/3000	16660	119	120°	238	260	1.05

Dimensions in mm







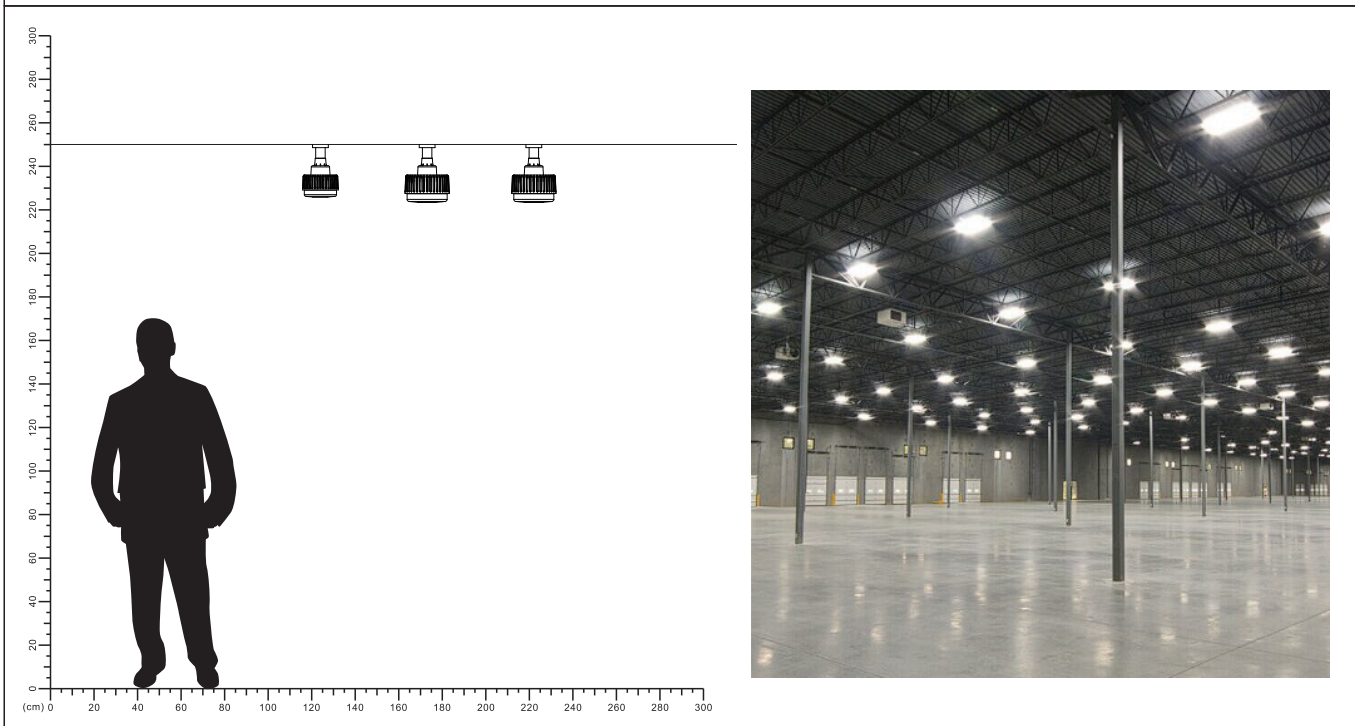
Description:
LED BULB LIGHT

Main material:
Engineering plastics+Nickel plated

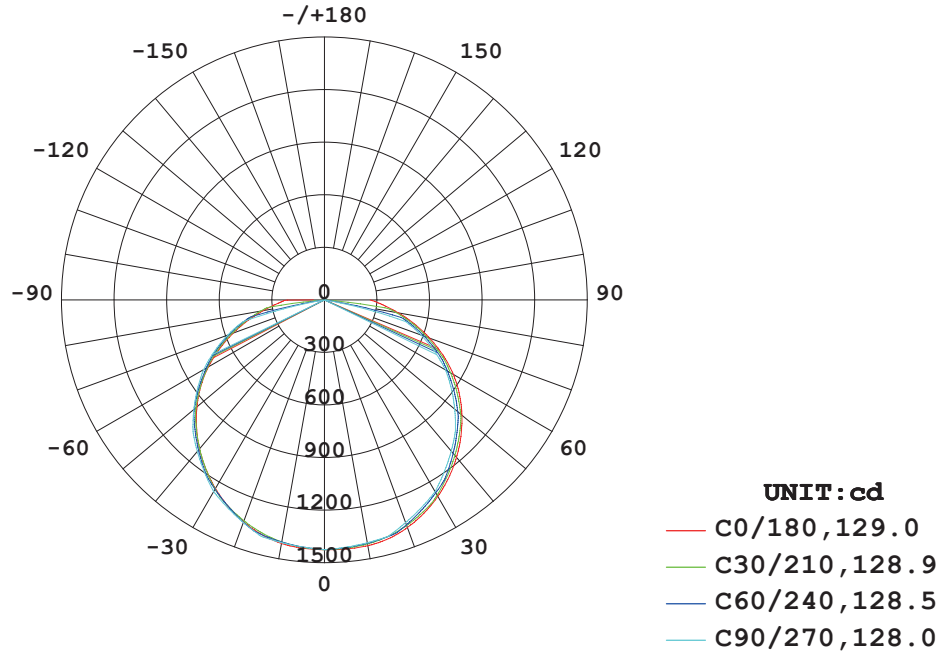
Specification
Energy saving, up to 85% energy saving comparing to standard halogen and incandescent lamps
High quality light, high color rendering, less heat, no UV or IR radiation
Build-in LED Driver
IP20

Applications

- Shoping mall
- Workshop
- Exhibition hall
- Warehouse

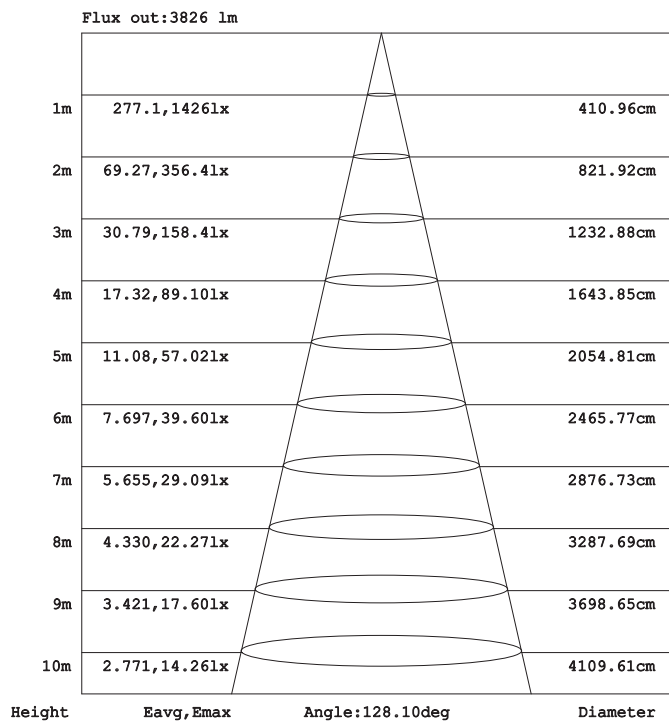


LUMINOUS INTENSITY DISTRIBUTION DIAGRAM



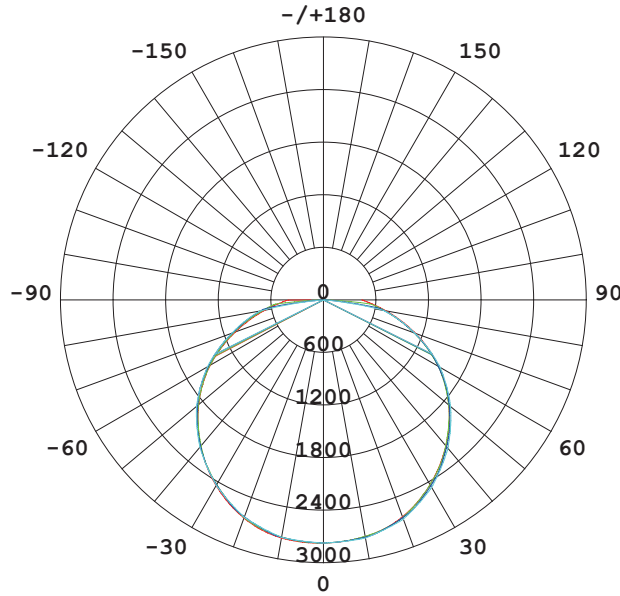
AVERAGE BEAM ANGLE (50%) : 128.6 DEG

Illuminance at a Distance



Model:NR-BL101-50

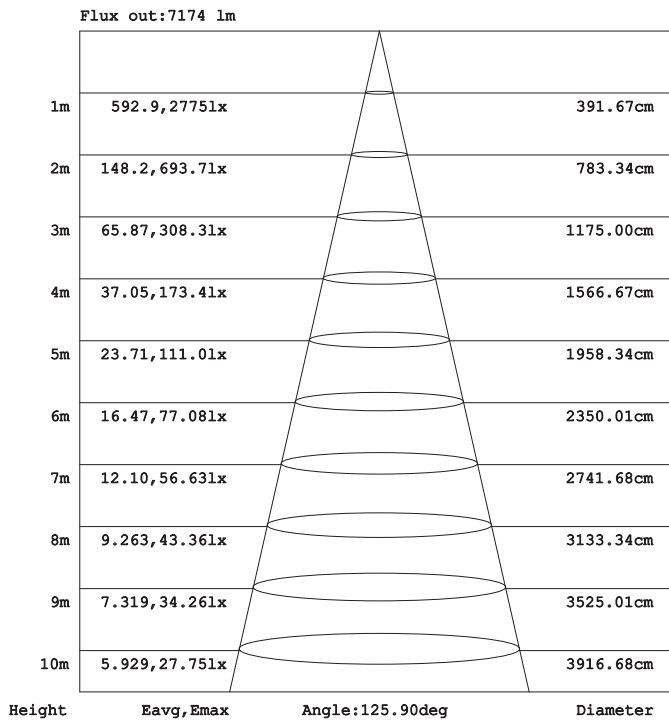
LUMINOUS INTENSITY DISTRIBUTION DIAGRAM



- UNIT: cd**
- C0/180, 125.9
 - C30/210, 125.7
 - C60/240, 126.6
 - C90/270, 126.9

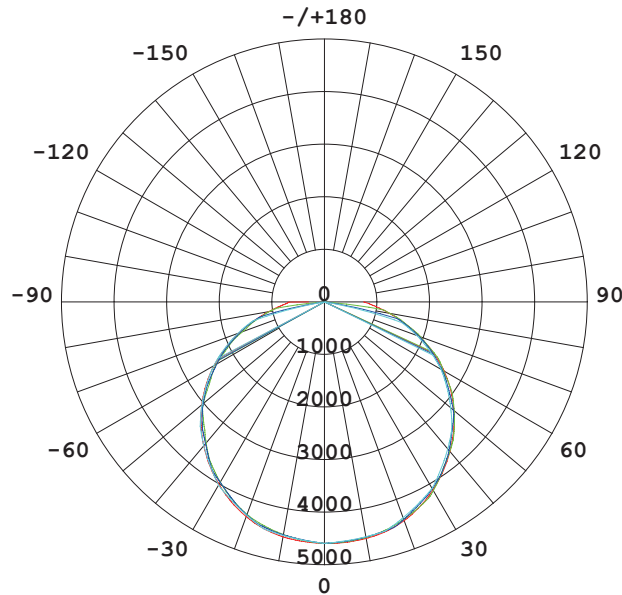
AVERAGE BEAM ANGLE (50%) : 126.3 DEG

Illuminance at a Distance



Model: NR-BL101-100

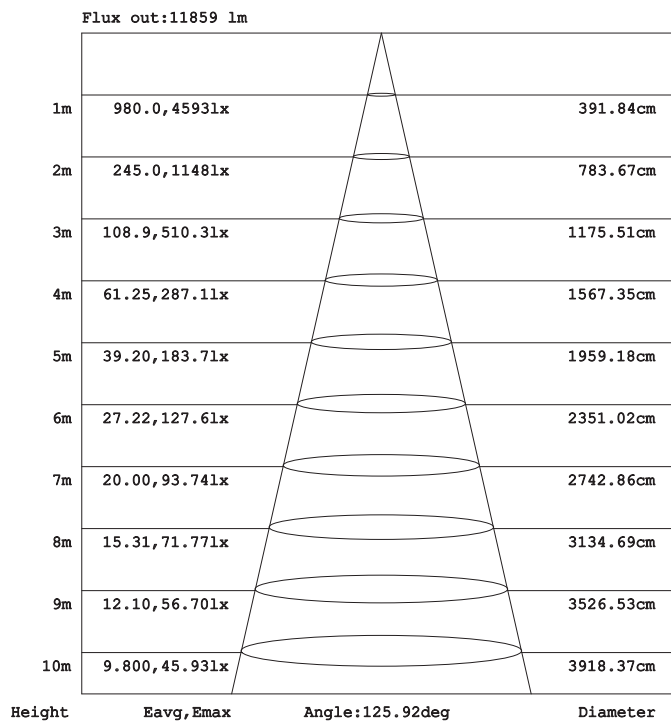
LUMINOUS INTENSITY DISTRIBUTION DIAGRAM



- UNIT: cd
- C0/180, 126.6
 - C30/210, 126.1
 - C60/240, 125.5
 - C90/270, 125.8

AVERAGE BEAM ANGLE (50%) : 126 DEG

Illuminance at a Distance

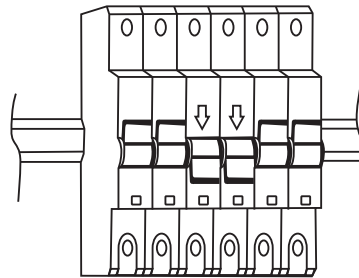


Model: NR-BL101-140



NOTE:

1. The installation of the product must be a professional electrician
2. The light source contained in this luminaire shall only be replaced by the manufacturer who is service agent or a similar qualified person.
3. Luminaire only suitable for indoor use.

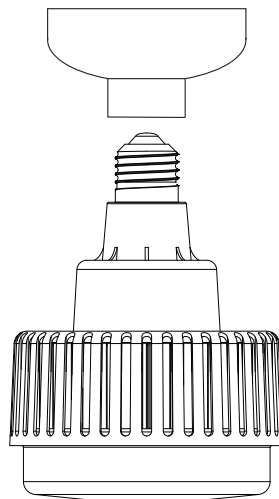


Turn Off

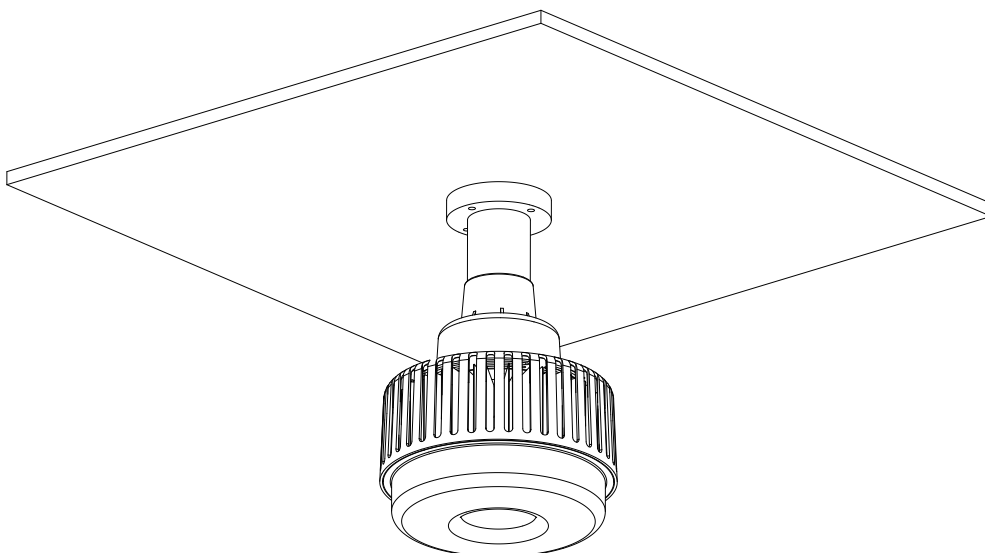
First, you make sure the power is off.

1

Put it top the base,
and turn on to 360°



2



3

